



# MODULAR 4-WAY DELAY VALVES

## R-454



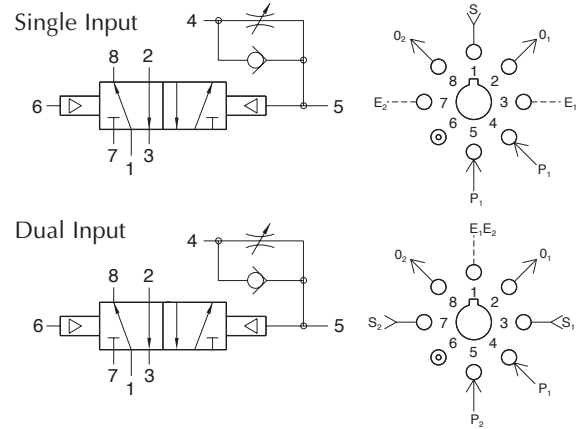
### 4-Way Delay Valve

#### Features:

- Micro gap construction - snap action and no blow by
- Screwdriver slot needle adjustment deters tampering
- Balanced design allows speed control at exhausts

#### Performance:

**Flow:** 9 scfm @ 100 psig; 255 l/min @ 6.9 bars  
**Pilot Pressure Minimum:** 40 psig; 2.8 bars  
**Temperature:** 32 to 180°F  
**Working Pressure:** 0 to 150 psig; 0 to 10.3 bars



#### Description:

R-454 is a 4-way, double pilot, fully ported 5 port valve with an adjustable flow control valve interconnected to one pilot. A pilot signal input in port 4 will be delayed in before actuating the valve. The R-454 can perform all 2-, 3- and 4-way functions.

## R-461



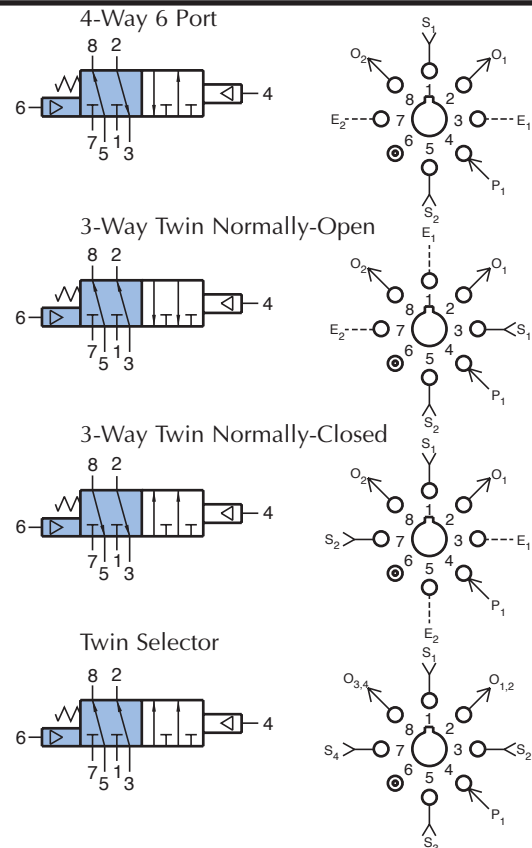
### 4-Way Valve, 6-Ported

#### Features:

- Indicator shows valve in shaded position
- Micro gap construction - snap action and no blow by
- Balanced design allows speed control at exhausts

#### Performance:

**Flow:** 9 scfm @ 100 psig; 255 l/min @ 6.9 bars  
**Pilot Pressure Minimum:** 40 psig; 2.8 bars  
**Temperature:** 32 to 180°F  
**Working Pressure:** 0 to 150 psig; 0 to 10.3 bars



#### Description:

R-461 is a 6-ported, 4-way, spring return, fully ported, pilot operated valve. It is basically two fully ported 3-way valves with a common pilot. It can be used in a variety of applications including dual pressure operations with two independent inlets, outlets, and exhausts.